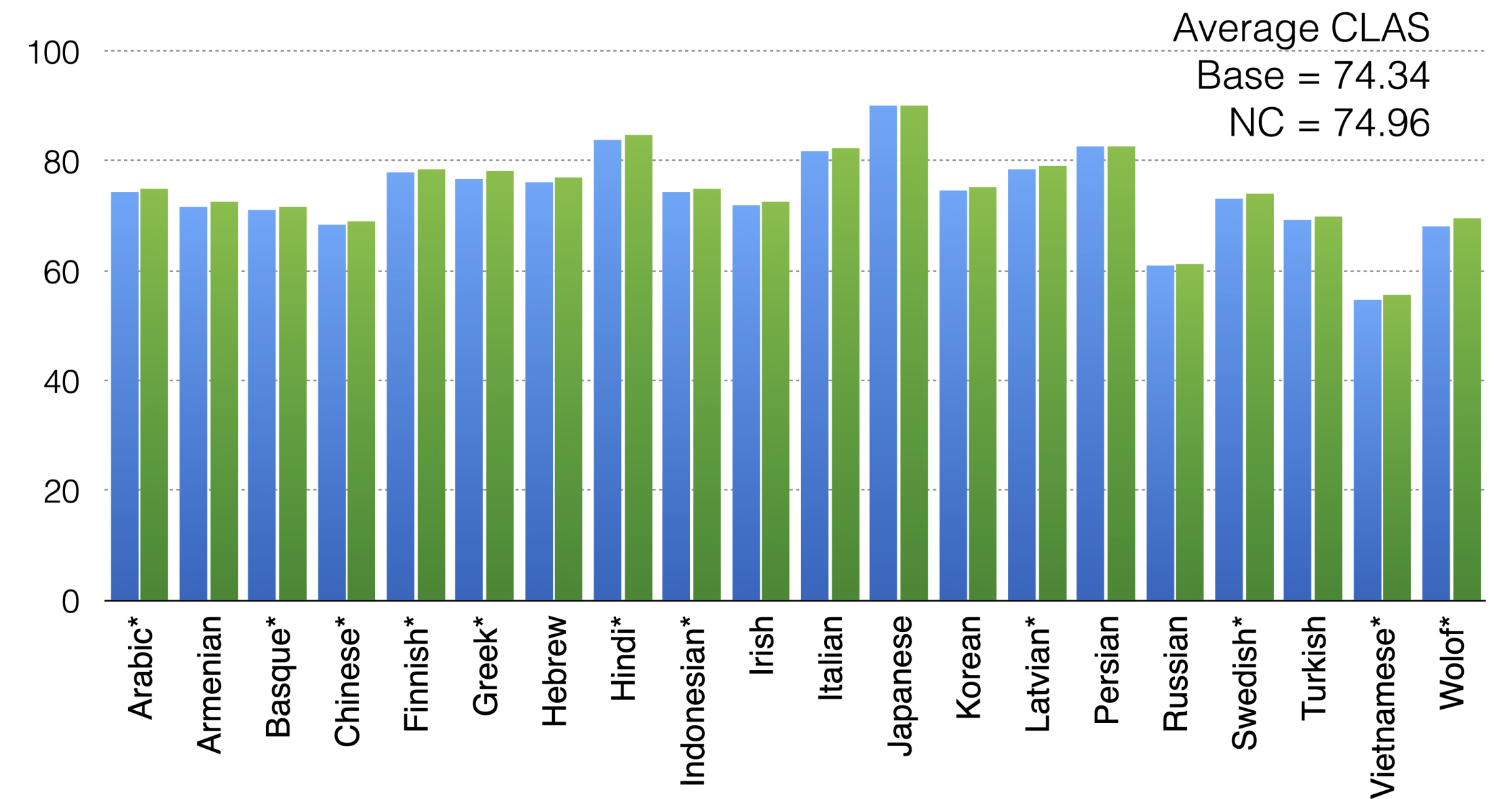
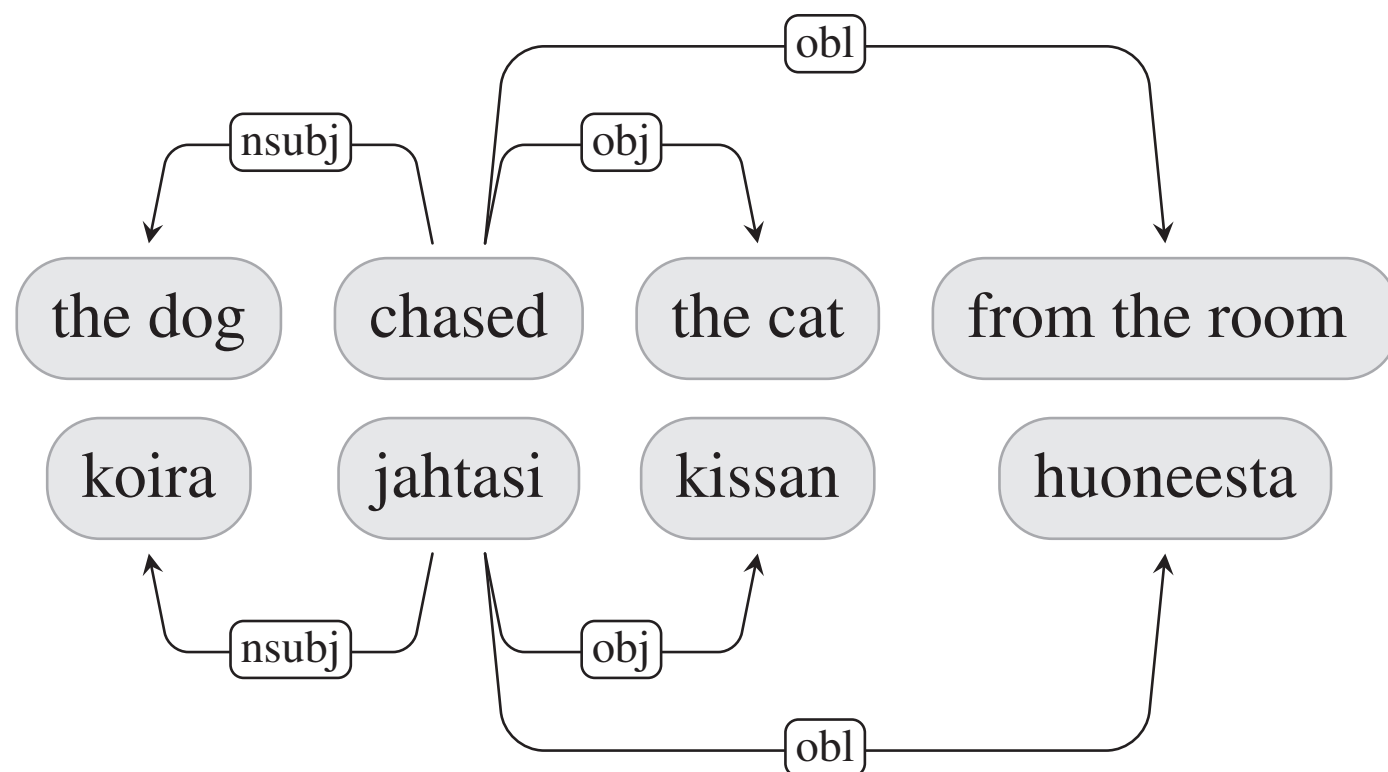
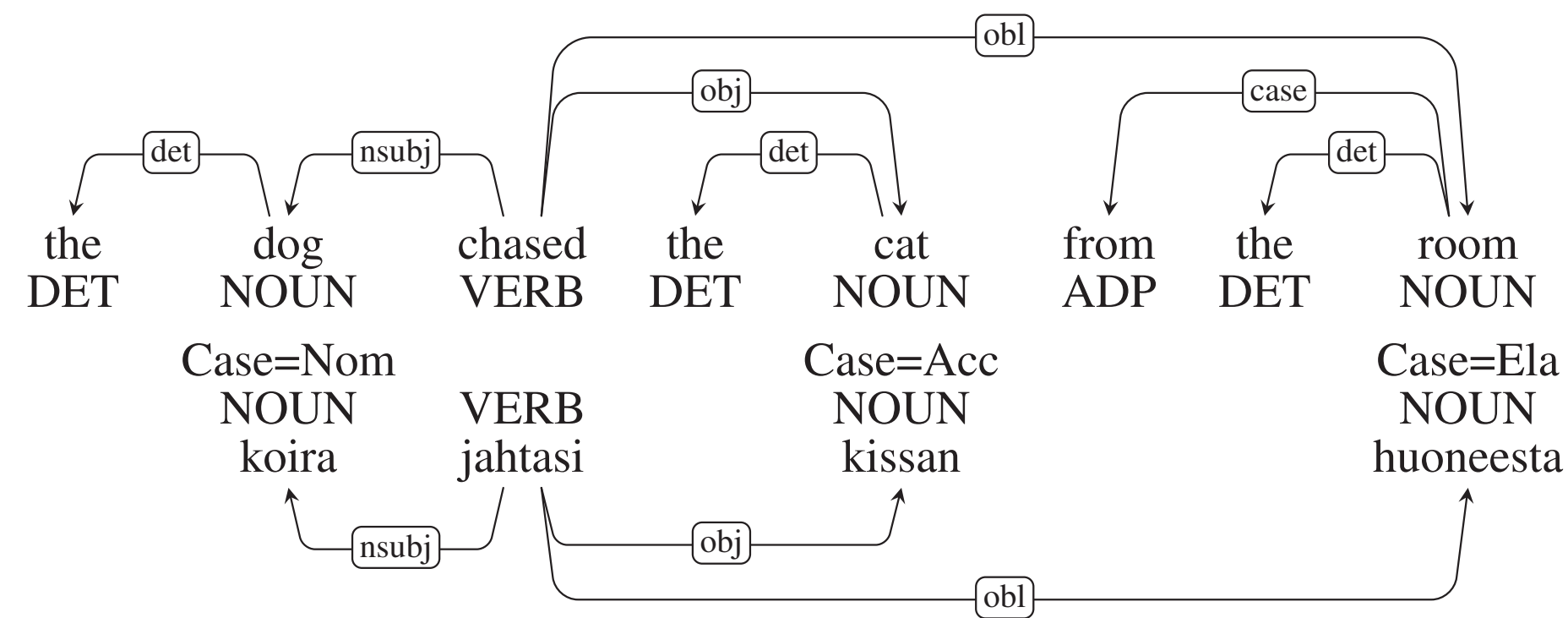


# Nucleus Composition in Transition-Based Dependency Parsing

Joakim Nivre



Joint work with Ali Basirat, Luise Dürlich and Adam Moss